

OMNIKEY® 3111 Reader Board Serial

Main Features:

- Serial connected PCB powered over PS/2
- Driver identical to housed product
- All major operating systems supported
- Mounting bracket available

ASSA ABLOY ITG, with its product brand OMNIKEY one of the world's leading manufacturers of innovative smart card readers, offers with the OMNIKEY® 3111 Reader Board Serial a high-performance smart card reader for OEMs.

Host Interface	
Host interface	Serial RS232 COM port
Transmission speed	115 Kbps
Power supply	PS/2 Keyboard adapter
Smart Card Interface	
Standards	ISO 7816 & EMV ² 2000 Level 1
Protocols	T=0, T=1, 2-wire: SLE 4432/42 (S=10), 3-wire: SLE 4418/28 (S=9), I ² C (S=8)
Card size	ID-1 (full-size)
Smart Card interface speed	420 Kbps (when supported by card)
Smart Card clock frequency	Up to 8 MHz
Supported card types	5V, 3V and 1.8V Smart Cards ISO 7816 Class A, AB and C
Power to Smart Card	60 mA
Smart Card Detection	Movement detection with auto power-off / Automatic Detection of smart card type / Short circuit and thermal protection
8 Pin Handling	C4 / C8 supported
Other Features	
Status indicator	Dual color LED
Options	
Mounting bracket	On request

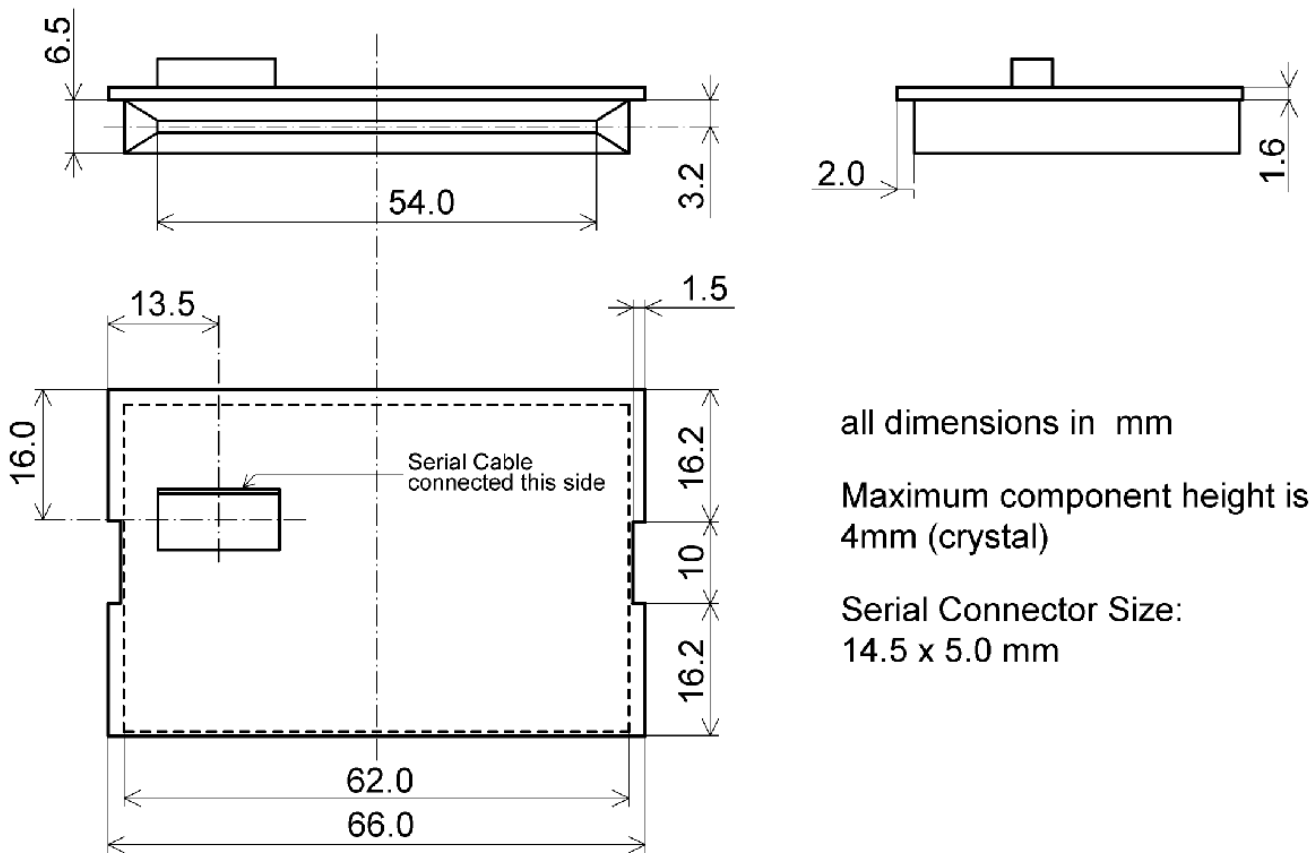
Supported APIs	
PC/SC driver (ready for 2.01)	
CT-API (on top of PC/SC)	
Synchronous-API (on top of PC/SC)	
OCF (on top of PC/SC)	
PC/SC Driver Support	
Windows® 98 / ME, 2000 / XP (32bit), 2003 Server	
Windows® NT 4	
Windows® CE 5.0 / CE.NET (depending on hardware)	
Windows® XP 64bit (AMD64, EM64T)	
Windows® Vista (32bit / 64bit)	
Linux®	
Embedded Technology	
OMNIKEY Smart@Link Chipset	
Hardware Specifications	
Dimensions (LxWxH)	66 x 42,4 x 12mm 2.6" x 1.67" x 0.47"
Weight	Approx. 103 gr / 3.6 oz
Operating temperature	0°-55°C / 32-131°F
Operating humidity	10-90% rH
Connector cable	180 cm / 70.9"
Durability	100.000 insertions
Meantime between failure (MTBF)	500.000 hours
Compliance / Certification	
Microsoft® WHQL ³	CE ¹ / WEEE
EMV ² 2000 Level 1	FCC ¹
ISO 7816	UL
HBCI ⁴	RoHS



1 = In housed readers only 2 = Europay® MasterCard® Visa® 3 = Windows® Hardware Quality Lab 4 = Homebanking Computer Interface

© ASSA ABLOY ITG reserves the right to change any information or data in this document without prior notice. The distribution and the update of this document is not controlled. ASSA ABLOY ITG declines all responsibility for the use of products with any other specifications but the ones mentioned above. Any additional requirement for a specific customer application has to be validated by the customer himself at his own responsibility. Where application information is given, it is only advisory and does not form part of the specification. 24.08.2007- Page : 1 of 2

OMNIKEY® 3111 Reader Board Serial Technical Drawing



all dimensions in mm

Maximum component height is
4mm (crystal)

Serial Connector Size:
14.5 x 5.0 mm

