

## OMNIKEY® 3121 Reader Board USB

### Main Features:

- Driver platform identical to housed product
- High speed data transmission
- All major operating systems supported
- Mounting bracket available

ASSA ABLOY ITG, with its product brand OMNIKEY one of the world's leading manufacturers of innovative smart card readers, offers with the OMNIKEY® 3121 a high-performance smart card Reader Board. The OMNIKEY® 3121 is an easy-to-install USB device suited for OEMs to easily embed leading OMNIKEY technology.

Host Interface	
Host Interface	USB 2.0 CCID <sup>1</sup> (also compliant with USB 1.1)
Transmission speed	12 Mbps (USB 2.0 full speed)
Power supply	Bus powered
Smart Card Interface	
Standards	ISO 7816 & EMV <sup>2</sup> 2000 Level 1
Protocols	T=0, T=1, 2-wire: SLE 4432/42 (S=10), 3-wire: SLE 4418/28 (S=9), I <sup>2</sup> C (S=8)
Card size	ID-1 (full-size)
Smart Card interface speed	420 Kbps (when supported by card)
Smart Card clock frequency	Up to 8 MHz
Supported card types	5V, 3V and 1.8V Smart Cards ISO 7816 Class A, AB and C
Power to Smart Card	60 mA
Smart Card detection	Movement detection with auto power-off / Automatic Detection of smart card type / Short circuit and thermal protection
8 Pin Handling	C4 / C8 supported
Other Features	
Status indicator	Dual color LED
Options	
Mounting bracket	On request

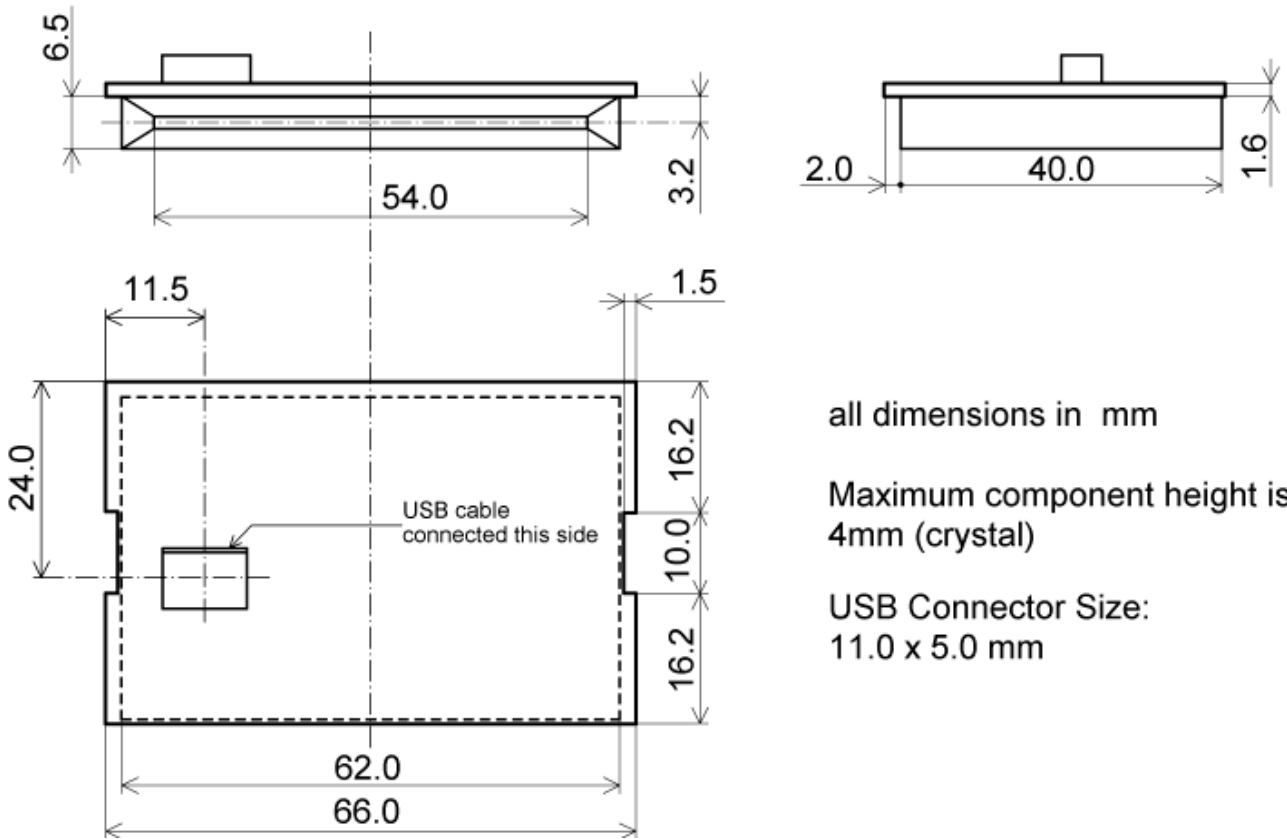
Supported APIs	
PC/SC driver (ready for 2.01)	
CT-API (on top of PC/SC)	
Synchronous-API (on top of PC/SC)	
OCF (on top of PC/SC)	
PC/SC Driver Support	
Windows® 98 / ME, 2000 / XP (32bit), 2003 Server	
Windows® CE 5.0 / CE.NET (depending on hardware)	
Windows® XP 64bit (AMD64, EM64T, IA64)	
Windows® Vista (32bit / 64bit)	
Linux®	
Mac® OS X (PowerPC / Intel)	
Embedded Technology	
CardMan Smart@Link Chipset	
Hardware Specifications	
Dimensions (LxWxH)	66 x 42,4 x 12mm 2.6" x 1.67" x 0.47"
Weight (incl. cable)	Approx. 75 gr / 2.65 oz
Operating temperature	0°-55°C / 32-131°F
Operating humidity	10-90% rH
Connector cable	180 cm / 70.9"
Durability	100.000 insertions
Meantime between failure (MTBF)	500.000 hours
Compliance / Certification	
Microsoft® WHQL <sup>3</sup>	CE <sup>4</sup> / WEEE
EMV <sup>2</sup> 2000 Level 1	FCC <sup>5</sup>
ISO 7816	UL <sup>5</sup>
HBCI <sup>6</sup>	VCCI <sup>7</sup>
USB 2.0 (USB 1.1 compatible)	MIC <sup>8</sup>
CCID <sup>1</sup>	RoHS



1 = Chip Card Interface Device 2 = Europay® MasterCard® Visa® 3 = Windows® Hardware Quality Lab 4 = Homebanking Computer Interface 5 = In housed readers only

© ASSA ABLOY ITG reserves the right to change any information or data in this document without prior notice. The distribution and the update of this document is not controlled. ASSA ABLOY ITG declines all responsibility for the use of products with any other specifications but the ones mentioned above. Any additional requirement for a specific customer application has to be validated by the customer himself at his own responsibility. Where application information is given, it is only advisory and does not form part of the specification. 27.08.2007- Page : 1 of 2

## OMNIKEY® 3121 Reader Board USB Technical Drawing



all dimensions in mm

Maximum component height is  
4mm (crystal)

USB Connector Size:  
11.0 x 5.0 mm

