

OMNIKEY® 3921 Reader Board USB

ASSA ABLOY ITG, with its product brand OMNIKEY one of the world's leading manufacturers of innovative smart card readers, has developed a modern and state-of-the-art smart card reader. The OMNIKEY® 3921 Reader provides the easy possibility to embed leading OMNIKEY contact smart card technology in a single USB device for OEMs.

Main Features:

- Driver platform identical to OMNIKEY® 3121
- Available with internal and external connector cable
- Easy installation due to mounting holes on PCB

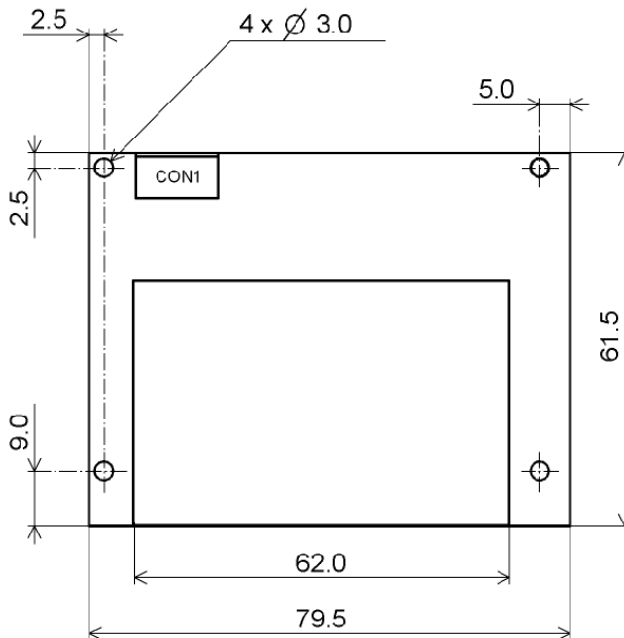
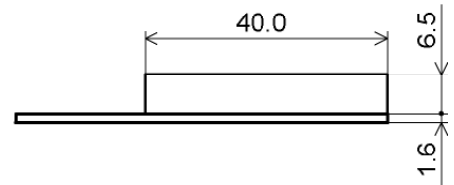
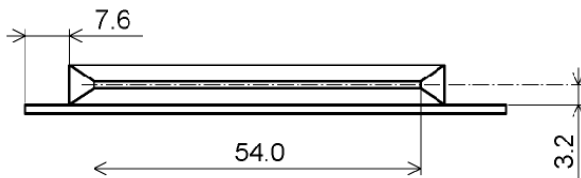
Host Interface	
Host Interface	USB 2.0 CCID ¹ (also compliant with USB 1.1)
Transmission speed	12 Mbps (USB 2.0 full speed)
Power supply	Bus powered
Smart Card Interface	
Standards	ISO 7816 & EMV ² 2000 Level 1
Protocols	T=0, T=1, 2-wire: SLE 4432/42 (S=10), 3-wire: SLE 4418/28 (S=9), I ² C (S=8)
Card size	ID-1 (full-size)
Smart Card interface speed	420 Kbps (when supported by card)
Smart Card clock frequency	Up to 8 MHz
Supported card types	5V, 3V and 1.8V Smart Cards ISO 7816 Class A, AB and C
Power to Smart Card	60 mA
Smart Card detection	Movement detection with auto power-off / Automatic Detection of smart card type / Short circuit and thermal protection
8 Pin Handling	C4 / C8 supported
Other Features	
Status indicator	Green LED
Easy mounting	screw holes on PCB

Supported APIs	
PC/SC driver (ready for 2.01)	
CT-API (on top of PC/SC)	
Synchronous-API (on top of PC/SC)	
OCF (on top of PC/SC)	
PC/SC Driver Support	
Windows® 98 / ME, 2000 / XP (32bit), 2003 Server	
Windows® CE 5.0 / CE.NET (depending on hardware)	
Windows® XP 64bit (AMD64, EM64T, IA64)	
Windows® Vista (32bit / 64bit)	
Linux®	
Mac® OS X (PowerPC / Intel)	
Embedded Technology	
CardMan Smart@Link Chipset	
Hardware Specifications	
Dimensions (LxWxH)	62 x 80 x 9 mm 2.44" x 3.15" x .035"
Weight with cable	75 gr / 2.65 oz
Operating temperature	0°-55°C / 32-131 °F
Operating humidity	10-90% rH
Connector cable (internal / external)	Ext. 150 cm / 59.1" Int. 80 cm / 31.5"
Durability	100.000 Insertions
Meantime between failure (MTBF)	500.000 hours
Compliance / Certification	
Microsoft® WHQL ³	CE ⁵
EMV ² 2000 Level 1	RoHS
ISO 7816	FCC ⁵
HBCI ⁴	UL
USB 2.0 (USB 1.1 compatible)	WEEE
CCID ¹	
Safety / Environmental	



1 = Chip Card Interface Device 2 = Europay® MasterCard® Visa® 3 = Windows® Hardware Quality Lab 4 = Homebanking Computer Interface 5 = In housed readers only

OMNIKEY® 3921 Reader Board USB Technical Drawing



all dimensions in mm

Maximum component height is
6.5 mm (smart card holder)

CON1 = USB Connector
2x5 pin strip, right angle

